

GX, GXT, EXT RECESS KIT INSTALLATION INSTRUCTIONS

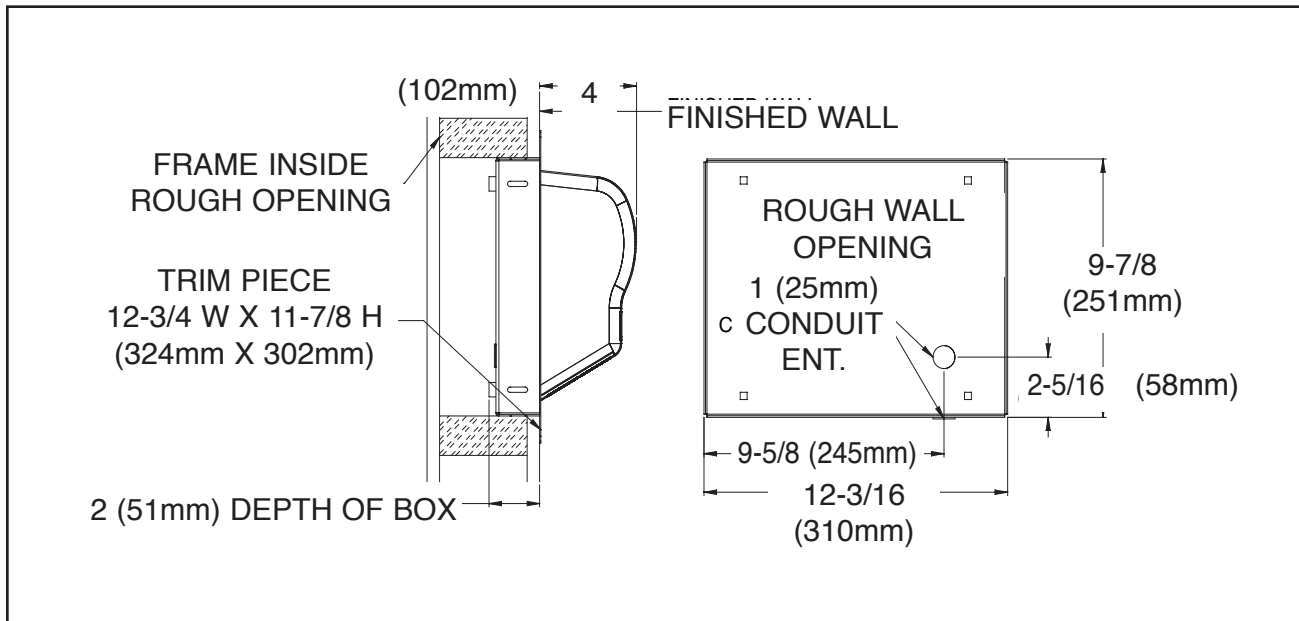
1. Your recess kit consists of the following:

- (1) GX234 Steel Recess Box
- (1) GX235 White Steel Trim Piece or GX235-SS Stainless Steel Trim Piece
- (4) 1/4"-20 X 3/4" Bolt
- (4) #8 X 1-1/2" Wood Screw
- (2) 1/4"-20 Bolt - Optional. For easier installation, replace the tamper proof screws that secure the cover.

#10 wood screws used to mount the recess box to the wood framing are NOT provided.

2. **MAXIMUM** mounting heights from **FLOOR** to **BOTTOM EDGE** of **RECESS BOX**:

MEN	44" (112cm)
WOMEN	42" (107cm)
CHILDREN (Depends on age)	32" - 42" (81-107cm)
HANDICAPPED	36" (91cm)



3. Suggested wall opening of 12-1/4" wide X 9-13/16" high X 3-1/2" minimum depth. Wall opening should be framed on all four sides with openings to allow easy access to electrical conduit.

4. Install recess box into frame using eight #10 wood screws (not supplied). The front metal edge of the recess box must be **FLUSH** with the finished wall.

5. Remove metal cover from hand dryer assembly by removing the two tamper resistant bolts. (See hand dryer owner's manual for details.)

6. Place dryer assembly into recess box and attach with four 1/4"-20 X 3/4" bolts.

7. Unit **MUST** be installed by a qualified licensed electrician. Connect electrical service lead wires. The ground wire **MUST** be connected to the ground screw. Use No. 12 or 14 gage wire as required by your local electric code.

8. Carefully replace the dryer cover using the two tamper resistant bolts. Hold trim piece in place on wall. Attach using four #8 X 1-1/2" wood screws supplied.

WARNING DISCONNECT POWER BEFORE INSTALLING
DESUNA LA ELECTRICIDAD ANTES DE HACER REPARACIONES