

EXTREMEAIR High Speed Hand Dryer Owner's Manual



Instructions apply to the following models:

CPC9	GXT9	EXT7
CPC9-M	GXT9-M	EXT7-M
CPC9-BG	GXT9-BG	EXT7-BG
CPC9-C	GXT9-C	EXT7-C
CPC9-SS	GXT9-SS	EXT7-SS

Instructions for Safe Operation

After washing hands, place hands approximately 4 to 6 inches (100 to 150 mm) under hand dryer nozzle until dry. The dryer is activated by an infrared sensor. The dryer operates as long as hands are below the nozzle. There is a maximum 35 second running time with a safety override feature if hands are not removed.

The dryer incorporates a non-self-resetting thermal cut-out that is reset by disconnection of the supply mains.

CPC models are equipped with Cold Plasma Clean® technology.

User Maintenance Instructions



DO NOT spray water or cleaning solvents through dryer vents. DO NOT use abrasive, chlorinated, or highly alkaline cleaners. DO NOT use oil based cleaners.

Cleaning should be performed on a regular basis at least twice per year.

Clean cover with a mild soap or detergent and warm water, using a soft cloth or sponge.

It is not necessary to disconnect power for cleaning.

EXTREMEAIR®

MFD by AMERICAN DRYER, INC.

5700 MCDERMOTT DRIVE, BERKELEY, IL 60163, U.S.A.

Telephone (734) 421-2400 • Fax (734) 421-5580

americandryer.com • Email: sales@americandryer.com

Revised JULY 2016

Installation Instructions



WARNING: Disconnect Power Before Servicing



WARNING: Installation Shall be Performed by a Qualified Licensed Electrician



WARNING: Do NOT modify the product in ANY way

Modifications including cutting holes may cause damage to the unit and will VOID the warranty.



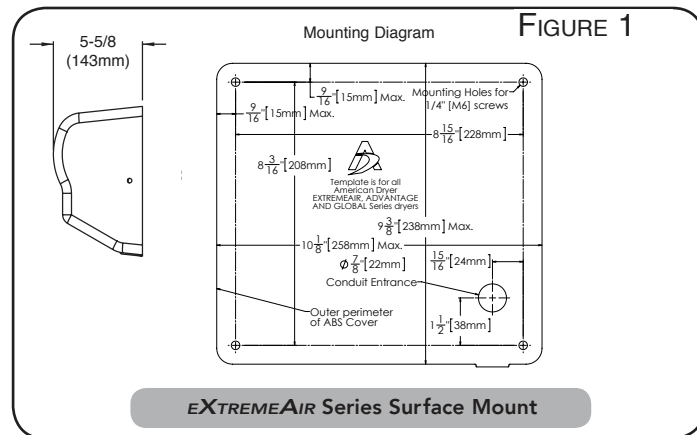
WARNING: For Indoor Use Only

1. Remove cover by removing (2) tamper-proof screws using security wrench supplied. Pull cover directly toward you. **IMPORTANT: SAVE SECURITY WRENCH.**
2. Dryers should be placed at least 2 feet (61cm) apart and at least 12" (30cm) from washbasin. Do not install dryer over washbasin. Dryers should be at least 18" (46cm) above any projection which may interfere with the operation of the automatic sensor.

Hold the backplate to the wall at the suggested **MAXIMUM** mounting height. Measure from bottom edge of the **backplate** to the **floor** (FIGURE 1).

Maximum Mtg Height

MEN	44" (1118mm)
WOMEN	42" (1067mm)
CHILDREN	32-42" (813-1067mm)
DISABLED	36" (914mm)



3. Mark the locations of the four mounting holes and the conduit entrance location on the wall. (The conduit entrance is the proper hole diameter for 1/2 inch (13mm) conduit.)
4. Fasten the backplate to the wall where previously marked. **RECOMMENDATION:**
Wood wall – No. 14 (M6) wood screws, 2-3/4" (70mm) long
Cement or brick – 1/4" (M6) stud expansion bolts, 3" (76mm) long
Hollow wall – 1/4" (M6) toggle bolts, length depends on wall thickness
5. Run a single phase 120V or 230V 50/60Hz electrical service to the dryer location using either the in-wall or bottom surface 1/2" conduit entrance and connect to the lead wires as shown on the dryer schematic. The ground wire must be connected to the dryer ground screw. **IMPORTANT:** All units must be supplied with 3 wire service. Use No. 12 or 14 wire as required by local electrical rules. Unit must be installed with separate disconnect means by a qualified licensed electrician.

CPC/GXT - Connect each dryer to a dedicated 15 or 20 amp line.

EXT - Connect up to three dryers to one dedicated 20 amp line

Dryers located in shower rooms or other wet locations should be equipped with ground fault interrupter(s).

6. **Adjusting Sound & Speed** - The dryer is shipped set at maximum speed. Using a small flat blade screwdriver, CAREFULLY turn the SPEED pot COUNTERCLOCKWISE 3/4 TURN MAX. to REDUCE SOUND & SPEED. CAREFULLY turn CLOCKWISE to INCREASE SOUND & SPEED. See Figure 2.

7. **Adjusting Sensitivity** - The sensor is adjusted at the factory to turn on when hands are 4-6 inches away from the bottom of the dryer. To INCREASE SENSITIVITY turn the pot CLOCKWISE up to 1/3 TURN MAX. To DECREASE SENSITIVITY turn the pot COUNTERCLOCKWISE up to 1/3 TURN MAX. See Figure 3.
8. **Carefully** replace the cover using (2) tamper-proof screws supplied. Apply a bead of caulk around edges of cover to wall.
9. **Notes** - The dryer incorporates a non-self-resetting thermal cut-out that is reset by disconnection of the supply mains.

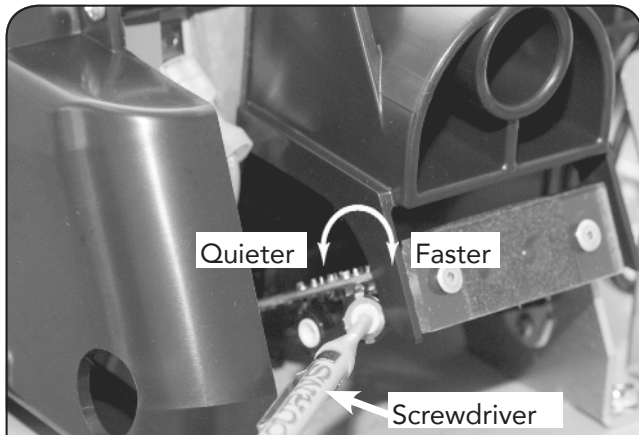


FIGURE 2 - ADJUSTING SOUND & SPEED

The dryer is shipped set at maximum speed. Turn counterclockwise to reduce sound and speed. 3/4 of a turn max.

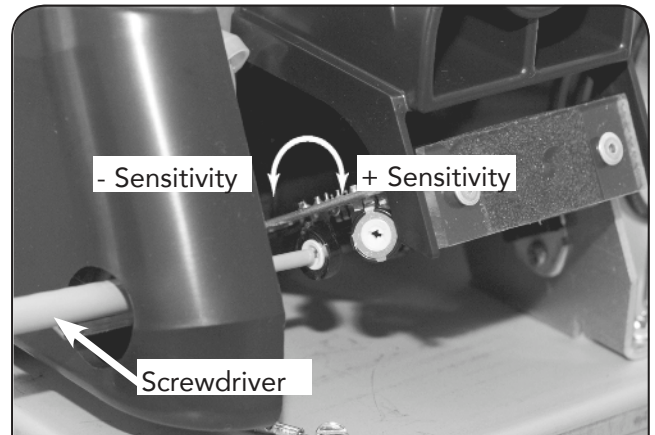


FIGURE 3 - ADJUSTING SENSITIVITY

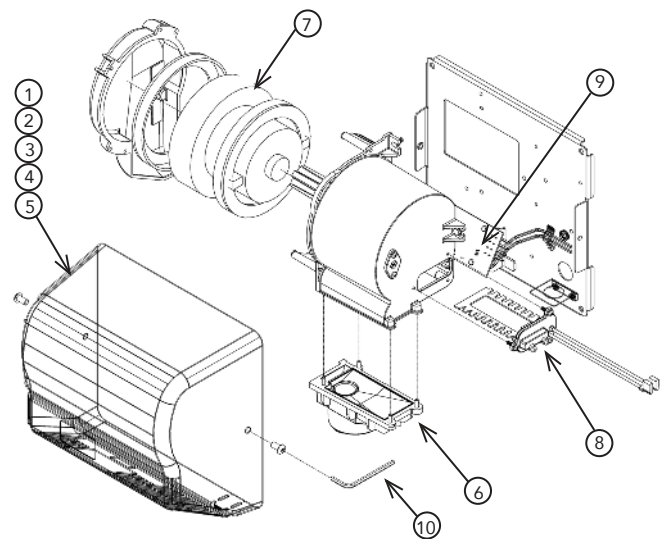
Place the screwdriver through the access hole as shown to adjust sensitivity. Range is set at the factory for 4 - 6 inches (100-150mm).

FIGURE 4 - PARTS LIST

ITEM	PART NO.	DESCRIPTION
1	GXT202	COVER, WHITE ABS*
2	GXT202-M	COVER, WHITE STEEL*
3	GXT202-BG	COVER, BLACK GRAPHITE STEEL*
4	GXT202-C	COVER, CHROME PLATED STEEL*
5	GXT202-SS	COVER, STAINLESS STEEL*
6	GXT212	NOZZLE ASS'Y
7	GXT216	MOTOR/BLOWER
8	GXT218	HEATING ELEMENT**
9	SM239	SMART SENSOR COMPLETE
10	GB232	SECURITY SCREWS & WRENCH

* Must specify complete model number

** CPC & GXT Only



Service Instructions



WARNING: Disconnect Power Before Servicing



WARNING: Installation Shall be Performed by a Qualified Licensed Electrician

Each component used in your dryer has been designed to provide years of trouble-free service. However, if trouble should develop, it can normally be located by visual examination. Removal or replacement of most parts is simple and can be done without special tools.

IF THE DRYER WON'T TURN ON:

Check electrical service, circuit breaker. Make sure proper voltage is being supplied to the dryer. Check for loose or disconnected terminals to sensor. **INCREASE** sensitivity (**FIGURE 3**) by inserting a flat-blade screwdriver through the hole and into the pot to **CAREFULLY** turn the adjustment pot located on the sensor **CLOCKWISE 1/3 turn MAX**. If necessary, replace sensor.

IF DRYER WILL NOT SHUT OFF:

Make certain black foam is attached to lens and lens is clean. If damaged, replace. **DECREASE** sensitivity (**FIGURE 3**) by inserting a flat-blade screwdriver through the hole and into the pot to **CAREFULLY** turn the adjustment pot located on the sensor **COUNTER-CLOCKWISE, 1/3 turn MAX**. If necessary, replace sensor.

CPC AND GXT ONLY - IF COLD AIR IS COMING FROM THE NOZZLE:

Turn off breaker for 30 seconds to reset thermostat. If necessary, inspect heating element by unfastening blower housing from backplate (3 screws). Remove heating element from blower housing to inspect for damage. Replace if necessary.

IF NO AIR IS COMING FROM THE NOZZLE:

If the dryer also trips the circuit breaker, replace the motor/blower assembly by unfastening the blower housing from the backplate (3 screws) and remove the inlet shield. Otherwise, replace the sensor.

COLD PLASMA GENERATOR:

The cold plasma generator is maintenance free. There are no chemicals to refill and no filters to change.

EXTREMEAIR LIMITED WARRANTY

All parts of the **EXTREMEAIR** models are warranted to the original consumer purchaser to be free from defects in material workmanship for a period of five (5) years from the date of purchase from the manufacturer. All models outside of the U.S.A. one (1) year. We will replace, during the warranty period, any warranted part which proves defective in material and or workmanship under normal installation, use, and service, excluding normal wear. Replacement parts can be obtained by returning the part, **TRANSPORTATION CHARGES PREPAID**. You must notify factory prior to returning part or dryer. Any damage to this dryer as a result of misuse, abuse, neglect, accident, improper installation, unauthorized repairs, or any other use violative of instructions furnished by us **WILL VOID THIS WARRANTY. THIS LIMITED WARRANTY IS THE SOLE WARRANTY ON OUR PRODUCTS, AND WE DISCLAIM AND EXCLUDE ANY AND ALL OTHER WARRANTIED, EXPRESS OR IMPLIED, INCLUDING ANY IMPLIED WARRANTIES OF MERCHANTABILITY OR FITNESS FOR A PARTICULAR PURPOSE. OUR LIABILITY SHALL NOT EXCEED IN ANY EVENT THE REPLACEMENT OR SALE PRICE OF THE ALLEGEDLY NONCONFORMING PRODUCT AND SHALL EXCLUDE LABOR CHARGES. TO THE EXTENT PERMITTED BY LAW WE SHALL NOT BE LIABLE FOR ANY LOSS, COST, EXPENSE, OR INCIDENTAL OR CONSEQUENTIAL DAMAGES OF ANY KIND. WHETHER BASED UPON WARRANTY (EXPRESS OR IMPLIED), CONTRACT, NEGLIGENCE OR STRICT LIABILITY AND ARISING IN ANY WAY IN CONNECTION WITH THE DESIGN, MANUFACTURE, SALE, USE OR REPAIR OF THE PRODUCT.**