



AMERICAN **A** SERIES  
AUTOMATIC HAND DRYERS

Maintenance Free  
Vandal Resistant

Durable Finish - Looks New for Years

Quiet, Dependable Operation

360° Revolving Nozzle  
(Dries Hands or Face)

10-Year Limited Warranty



A-T Series  
White, Automatic,  
Surface

A-TR Series  
White, Automatic,  
Recessed

**Overview:**

The A series automatic hand dryers offer exceptional construction, durability and performance. This top-of-the-line model comes standard with a 10-year limited warranty.

Options include a fixed nozzle and recessed mounting.

**Construction Features:**

**Cover** – One piece heavy duty 1/4" thick cast iron is the ultimate in durability.

**Finish** –Durable white porcelain enamel finish is easy to clean and looks new for years. It absorbs impact without scratching or chipping. Resistant to strong acids and cleaning agents.

**Tamper Resistant** – Two tamper-resistant screws secure cover to steel base. Air intake vents are shielded for additional safety.

**Motor** – Permanently lubricated, maintenance-free, brushless induction motor with automatic resetting thermal protector. 1/10 HP, 3200 RPM.

**Nozzle** – Chrome plated zinc die cast. 360° revolving nozzle is standard. A fixed nozzle (F) is optional on all models.

**Automatic Sensor** – 100% solid state design eliminates relay contact failures. Microprocessor controlled infrared sensor turns dryer on when hands are under the air outlet. Dryer turns off when hands are removed. Override turns dryer off in 80 seconds if hands are not removed.

**Heating Element** – Constructed of NiChrome resistance wire with automatic resetting thermostat. Side mounted heating element operates in the black range for maximum life.

Specifications:	
<b>Air Flow</b>	160 CFM (Cubic Feet per Min.)
<b>Air Velocity</b>	5500 LFM (Linear Feet per Min.)
<b>Air Temp</b>	130-145°F at 72°F Ambient
<b>Sound Level</b>	71 dB (Quietest in its Class)
<b>Dimensions Surface Including Nozzle (Fig 1)</b>	11-3/8" W X 9-7/8" H X 8-7/8" D (29 cm W X 25 cm H X 22.5 cm D)
<b>Dimensions Recessed Including Nozzle (Fig 2)</b>	12-1/2" W X 10-1/16" H X 6" D (32 cm W X 25.5 cm H X 15 cm D)
<b>Shipping Weight</b>	Surface 29 Lbs (13 Kg) / Recess 27 Lbs (12 Kg)
<b>Mounting Heights Hand Dryers</b> (From floor to bottom of hand dryer)	Men 42" (107 cm) Women 40" (102 cm) Children 30"-40" (76-102 cm) Handicapped 34" (86 cm)
<b>Warranty:</b> 10-year limited warranty includes <b>same day</b> factory repair or part replacement. Sensor 5 years. See owner's manual for details.	

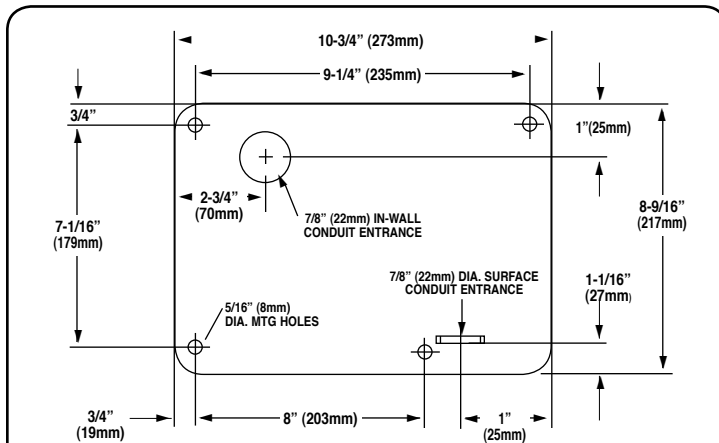
**Model Reference Chart**

AUTOMATIC			ELECTRICAL RATINGS			
Surface Model	Recessed Model	Drying Cycle	Volts	Amps	Watts	Hertz
A60T	A60TR	Auto	110-120	15	1725	60
A70T	A70TR	Auto	110-120	20	2300	60
A80T	A80TR	Auto	208-240	10	2300	50/60

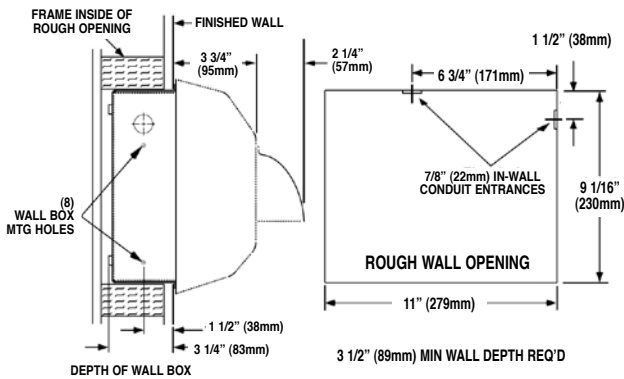
Available Options:  
Fixed Nozzle add (F) after model number.



## Mounting Diagrams



**Figure 1 - A Series Surface Mount**



**Figure 2 - A-TR Series Recessed Mount**

Represented By



**American Dryer, Inc.**

12932 Farmington Road | Livonia | MI | 48150 | U.S.A.

Toll Free (800) 485-7003 U.S.

Ph: (734) 421-2400 | Fax (734) 421-5580

Web: [www.americandryer.com](http://www.americandryer.com)

Email: [sales@americandryer.com](mailto:sales@americandryer.com)

© American Dryer, Inc. All Rights Reserved

Revised April 2009

## Save 95% Versus Paper Towels

**A Series** Hand dryers achieve up to a 95% cost savings over paper towels. These savings are realized by eliminating the maintenance and operating expenses associated with paper or linen towels.

*"Our school saved over \$21,000 last year with American Dryer!"*

Cost Analysis for a Public School:	
Paper Towel Usage	800 cases
Total Paper Costs	\$ 24,000
Hand Dryer Operating Costs	\$ 2,453
<b>Annual Savings</b>	<b>\$ 21,547</b>
Payback Time	14 months

Cost Analysis for a Restaurant:	
Paper Towel Usage	90 cases
Total Paper Costs	\$ 2,025
Hand Dryer Operating Costs	\$ 96
<b>Annual Savings</b>	<b>\$ 1,929</b>
Payback Time	12 months

## GENERAL INFORMATION

### DRYER PLACEMENT :

Dryers should be placed at least 2 feet apart and at least 12" from washbasin. Do not install dryer over washbasin. Automatic dryers should be at least 18" above any projection which may interfere with the operation of the automatic sensor.

### DRYER INSTALLATION:

Hand dryers require a dedicated circuit (max. 20 amp) and must be properly grounded. One side of dryer should be mounted to stud. All surface mount dryers are provided with conduit entrances for both between wall and surface wiring.

### QUANTITY ESTIMATE, HAND DRYER:

Average traffic washroom.....1 dryer per 2 washbasins  
 Heavy traffic washroom.....1 dryer per washbasin  
 54" wash fountain.....4 dryers per sink

Printed on Recycled Paper